

ETG-CHS-H4

Standard High Bay Series

Product Description

The Horner Standard Circular High Bay (CHS-H4) Series is a versatile and durable indoor fixture that comes in four sizes with three optional reflectors that are field installable. It is lightweight and installation is easy enough for a single person.



Precautions



Risk of electrical shock. Disconnect power before servicing or installing product.

Risque de choc électrique. Coupez l'alimentation avant l'entretien ou l'installation du produit.



Risk of injury or damage. Unit will fall if not installed properly. Follow installation instructions.

Risque de blessures ou de dommages. Unité va tomber s'il n'est pas installé correctement. Suivez les instructions d'installation.



Risk of injury. Wear safety glasses and gloves during installation and servicing.

Risque de blessure. Porter des lunettes de sécurité et des gants lors de l'installation et de l'entretien.



Risk of injury or damage. LED light sources achieve full intensity immediately after powered. Do not look directly into the lights.

Risque de blessures ou de dommages. Sources de lumière LED parvenir à pleine intensité immédiatement après sous tension. Ne regardez pas directement la lumière.

Model	Weight	Watts
ETG-CHS120H4	4.8 lbs.	120
ETG-CHS150H4	6.9 lbs.	150
ETG-CHS200H4	6.9 lbs.	200
ETG-CHS320H4	16 lbs.	320
ETG-CHS320H4-WL850-P2	16 lbs.	320
ETG-CHS480H4	24.7 lbs.	480
ETG-CHS480H4-WL850-P2	24.7 lbs.	480

Reflector Installation

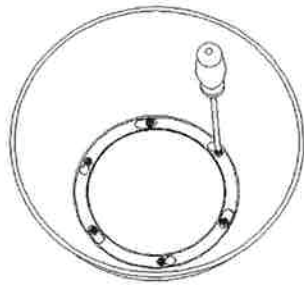


1. To install the reflector, unscrew three alternate screws by 5mm, leaving the other three screws untouched.



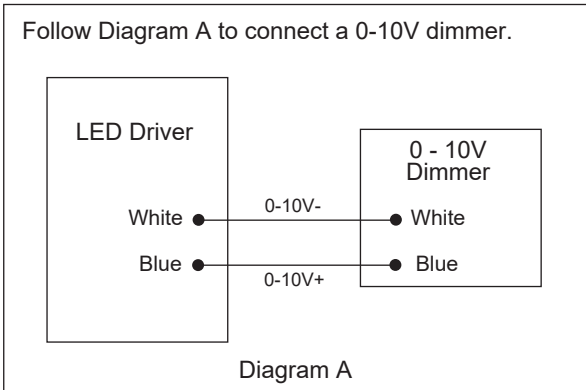
2. Match the keyholes on reflector to the raised screws then rotate reflector into position.

Reflector Installation cont...



3. Retighten the raised screws. Do not overtighten or you could damage the keyholes or reflector.

Optional:



Hook Mounting



ETG-CHS320/480H4 shown

1. Use a wrench to fasten the nut. Hang the lamp on the rail and add a set screw.

Pendant Mounting



ETG-BKT-CHB-PD1



ETG-BKT-CHB-PD2

1. Secure optional ETG-BKT-CHB-PD1 or ETG-BKT-CHB-PD2 to pendant, then secure light to hook on bottom of box.

Wiring

Make all electrical connections in accordance with the National Electrical Code (NEC) and any applicable local code requirements.

Verify that supply voltage is correct by comparing with the National Electrical Code and any applicable local code requirements.

If wiring to the supplied lead, connect the lead to matching color code only.

Cleaning

To maintain efficiency, the glass lens should be cleaned with a mild soap or neutral PH cleaner.

Abrasives or cleaners containing chlorinated or aromatic hydrocarbons should not be used.

Once clean, rinse with cold water and wipe dry with a soft cloth.

TECHNICAL SUPPORT

Tel: 317 916-4274

Web: <http://www.hornerlighting.com>

Fax: 317 639-4279

Email: APGUSATechSupport@heapg.com