

## ETG-LRP Series

4' LED Remote Phosphor Linear Low Bay and High Bay Lighting



Figure 1 - 2 tube LRP with reflector shown

### 1. INTRODUCTION

Advanced LED Remote Phosphor (LRP) lighting provides superior efficacy, reduced glare, and even lighting output. These lighting products are designed for indoor facility lighting, ranging from 15'-60' ceilings, such as industrial or retail applications. The LRP series' glass-free, long lifetime, dimmable design make it a great lighting solution in many different settings. ETL approved except for H models.

### 2. SPECIFICATIONS

Table 1 – General Product and Operating Characteristics

Model	CRI *Red Enhancement	CCT	Lumens *estimate	Total Watts	Lumens/Watt	Replacements
ETG-LRP1060	80 90*	5000K 5000K	*6,000 *5,700	60 60	100 95	2Tube T8 150W (HID)
ETG-LRP1080	80	5000K	*8,000	80	100	3 Tube T8
ETG-LRP2120	80	5000K	*12,000	120	100	4Tube T8
ETG-LRP2160	80 90*	5000K 5000K	*16,000 *14,250	150 150	100 95	6 Tube T8 400W (HID)
ETG-LRP3240	80 90*	5000K 5000K	*24,000 *22,800	240 240	100 95	6 Tube T5 400W (HID)
ETG-LRP4320	80 90*	5000K 5000K	*30,000 *28,500	300 300	100 95	700W (HID) 700W (HID)
ETG-LRP6480	80 90*	5000K 5000K	*48,000 *45,600	480 480	100 95	1000W (HID) 1000W (HID)

Table 2 – Characteristics

Light and Electrical Characteristics	
Fixture Watts	60-480W
Dimming	0-10V > 5%
Ambient Temperature	LRP1120,LRP2120,LRP1060 : -30°C to 45°C All Rest: -40°C to 45°C
AC Power	100 – 277 VAC or 277-480 VAC
DC Power	48V DC
Fixture Weight	1 Tube – 3.53 lbs., 2 Tube – 7.30 lbs., 3 Tube – 10.9 lbs., 4 Tube – 14.6 lbs., 6 tube – 21.8 lbs.
Mounting	Hook, Cable, or Chain. Recommend ETG-YSM-05 Y cables.
Warranty	5 Years

### 3. PHOTOMETRICS

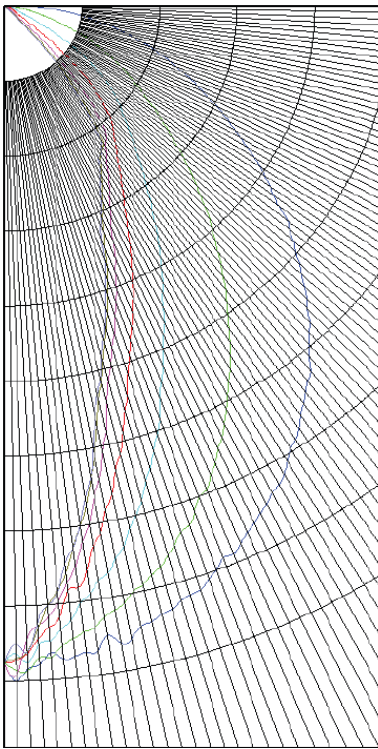


Figure 2 - Aisle Candela Polar Plot

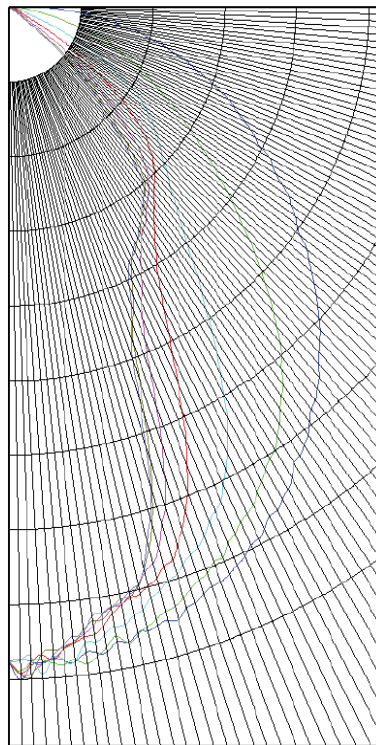


Figure 3 - High Bay Candela Polar Plot

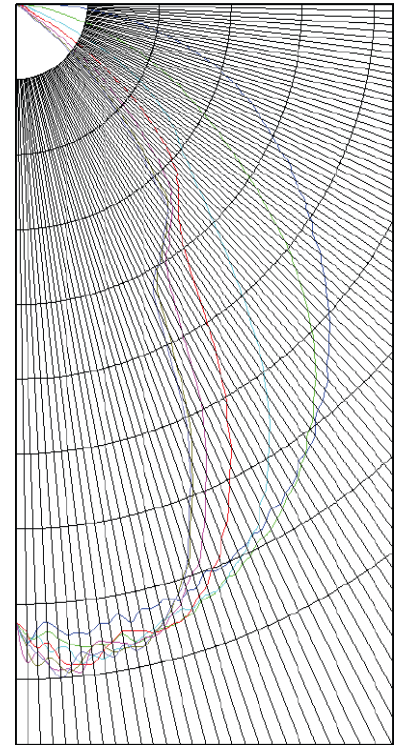
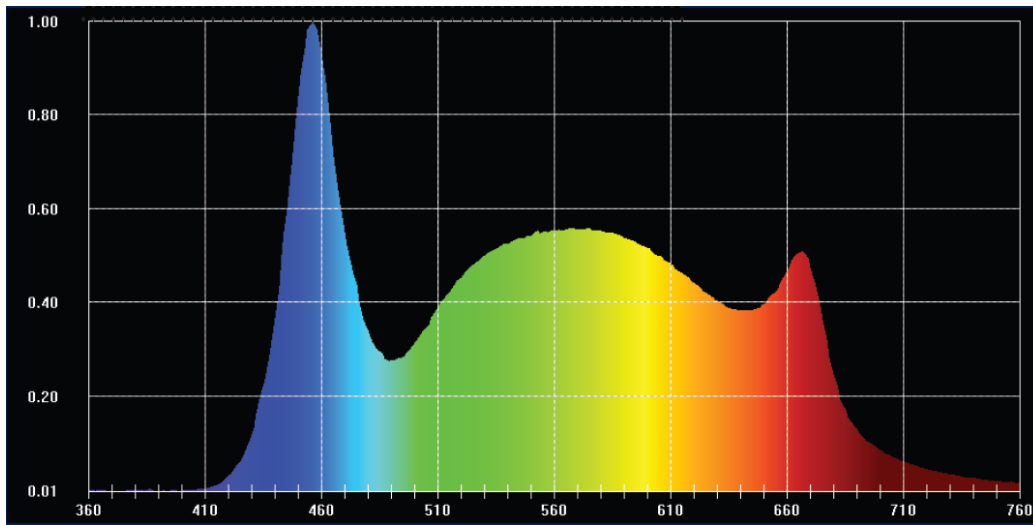
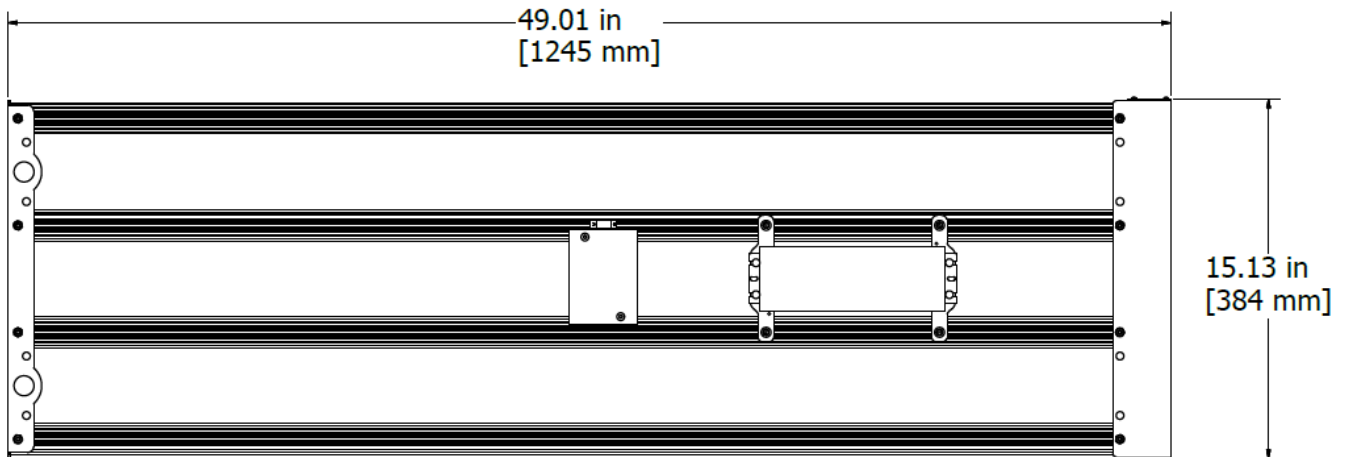
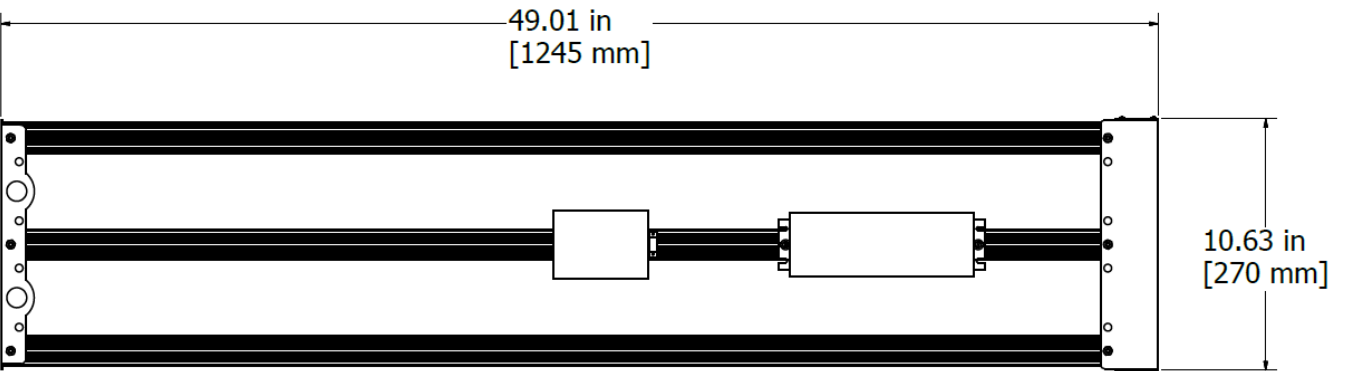
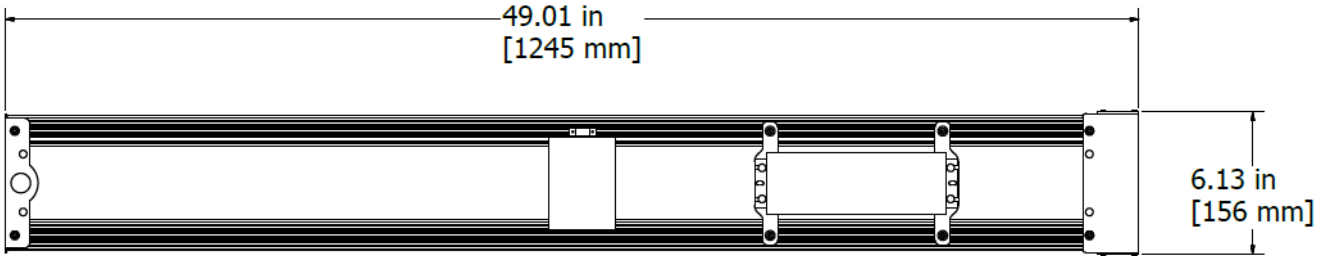
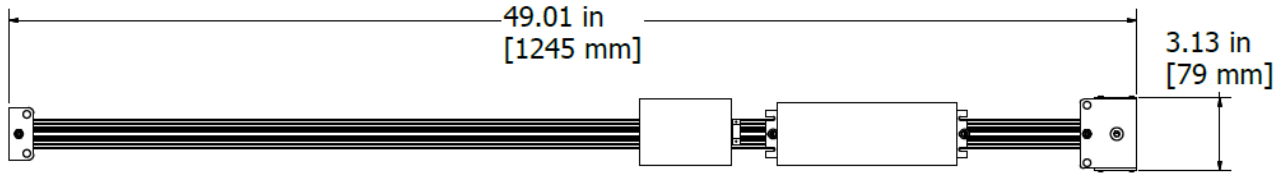


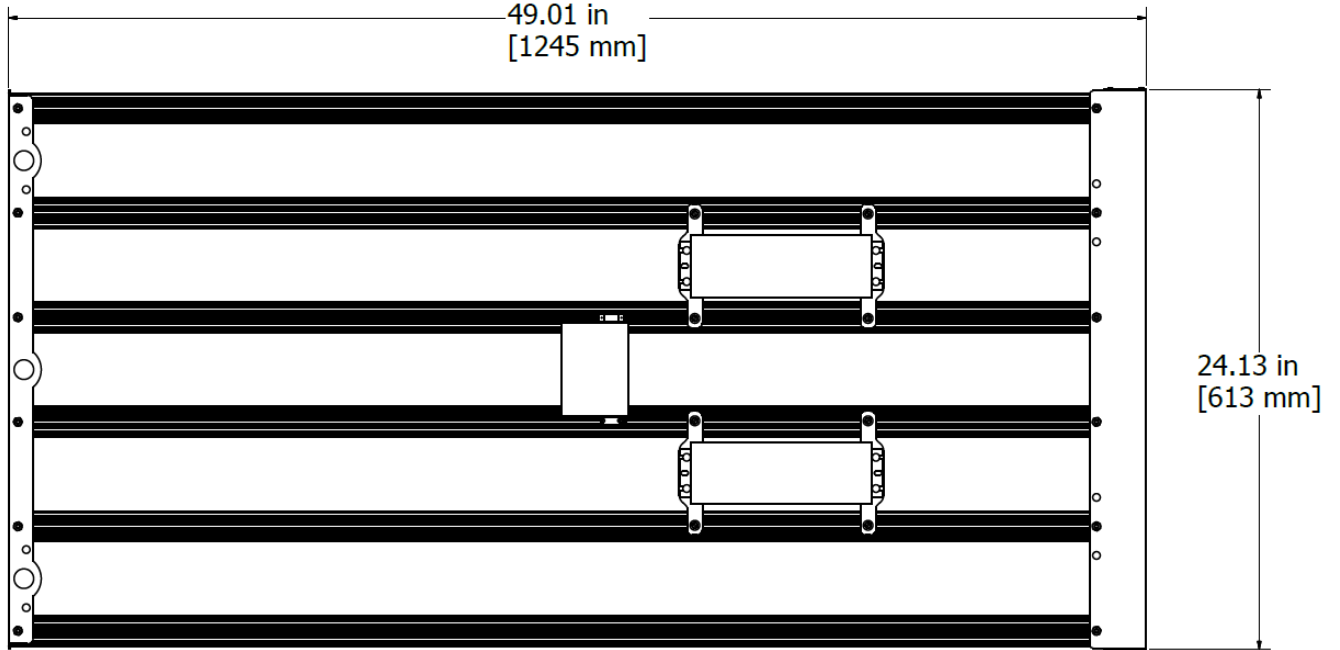
Figure 4- Low Bay Candela Polar Plot

Figure 2 - CRI Red Enhancement



#### 4. DIMENSIONS








## 5. PART NUMBER OPTIONS

Part Number	Description
D1	Step Dimming 30-100%
D2	Step Dimming 50-100%
D3	Step Dimming Adjustable
M1	ON/OFF Motion
M2	ON/OFF Motion Cold
W1	Wireless ON/OFF with Dimming
P1	ON/OFF 90~305 VAC/Tube (Standard)
P4	Dimming 90~305 VAC/Tube
P2	INTERNAL 480 VAC/Tube

Choose one of the following reflector sets to come with the light fixture:

Reflectors	Model Number
15-30 Feet Low Bay Reflector	ETG-LBR1
30-60 Feet High Bay Reflector	ETG-HBR1
20-40 feet Aisle Reflector	ETG-ABR1

## 6. PRECAUTIONS

 <p><b>WARNING</b></p> <p><b>Risk of electrical shock.</b> Disconnect power before servicing or installing product. <i>Risque de choc électrique. Coupez l'alimentation avant l'entretien ou l'installation du produit.</i></p>
 <p><b>WARNING</b></p> <p><b>Risk of injury or damage.</b> Unit will fall if not installed properly. Follow installation instructions. <i>Risque de blessures ou de dommages. Unité va tomber s'il n'est pas installé correctement. Suivez les instructions d'installation.</i></p>
 <p><b>CAUTION</b></p> <p><b>Risk of injury.</b> Wear safety glasses and gloves during installation and servicing. <i>Risque de blessure. Porter des lunettes de sécurité et des gants lors de l'installation et de l'entretien.</i></p>

This luminaire is designed to be used in ambient temperatures of -40C to +45C (-40F to +113F) and be mounted horizontally with the light source down as shown above. This luminaire should be installed indoors and not in areas with limited ventilation or high ambient temperatures.

**Mounting Specifications**

Weight: 1 Tube – 3.53 lbs., 2 Tube – 7.30 lbs., 3 Tube – 10.9 lbs., 4 Tube – 14.6 lbs., 6 tube – 21.8 lbs.

**Unboxing**

Our packaging is designed to protect the luminaire during shipping. Please inspect to confirm it was not damaged.

**Handling**

Once unpacked, the luminaire can become damaged if mishandled. Do not stack luminaires after unpacking. Protect the remote phosphor plate from scratching.

**7. TECHNICAL SUPPORT**

**Tel:** (317) 916-4274

**Web:** <http://www.hornerlighting.com>

**Fax:** (317) 639-4279

**Email:** [techspt@HornerETG.com](mailto:techspt@HornerETG.com)

